

ELECTRIC ARTICULATING BOOM LIFTS

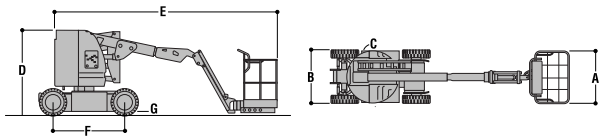
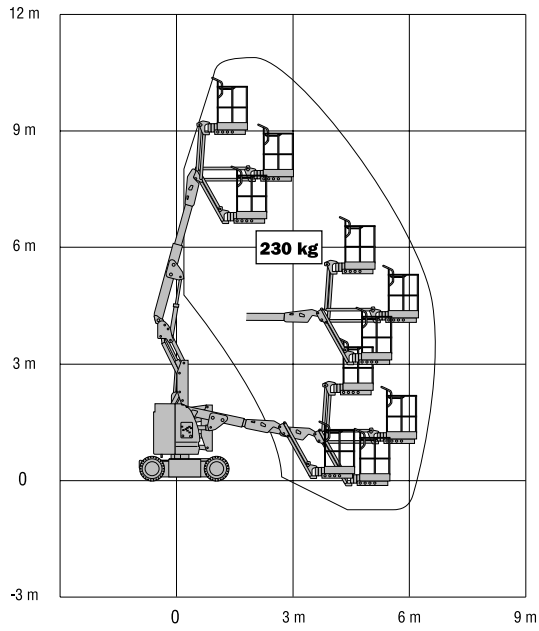
| | E300AJ | E300AJP |
|-----------------------------------|--------------------------------|--------------------------------|
| Platform Height | 9.14 m | 9.14 m |
| Horizontal Outreach | 6.10 m | 6.25 m |
| Up and Over Height | 3.99 m | 3.99 m |
| Swing (non-continuous) | 360° | 360° |
| Platform Capacity – Unrestricted | 230 kg | 230 kg |
| Platform Rotator (Hydraulic) | 180° | 180° |
| Jib – Overall Length | 1.24 m | 1.24 m |
| Jib - Range of articulation | 141° Vertical (+86° / -55°) | 141° Vertical (+86° / -55°) |
| JibPLUS™ - Range of Articulation | — | 180° Horizontal |
| A. Platform Size | 0.76 m x 1.22 m | 0.76 m x 1.22 m |
| B. Overall Width | 1.22 m | 1.22 m |
| C. Tailswing (working condition) | Zero | Zero |
| D. Stowed Height | 2.01 m | 2.01 m |
| E. Stowed Length | 5.44 m | 5.59 m |
| F. Wheelbase | 1.65 m | 1.65 m |
| G. Ground Clearance | 0.10 m | 0.10 m |
| Gross Vehicle Weight ¹ | 6,735 kg | 7,052 kg |
| Drive Speed | 4.8 km/h | 4.8 km/h |
| Gradeability | 25% | 25% |
| Tyres | 7.5 x 12.5 Non marking | 7.5 x 12.5 Non marking |
| Turning Radius – Inside | 1.52 m | 1.52 m |
| Turning Radius – Outside | 3.10 m | 3.10 m |
| Electrical System | 48V DC | 48V DC |
| Batteries | 8 x 6V 370 A/hr | 8 x 6V 370 A/hr |
| Drive Motors | Dual Electric Traction | Dual Electric Traction |
| Brakes | Automatic Spring Applied | Automatic Spring Applied |
| Hydraulic Motor | Perm. Magnet | Perm. Magnet |
| Hydraulic Pump | Gear Pump | Gear Pump |
| Hydraulic Reservoir | 11.4 L | 11.4 L |

¹ Certain options or country standards will increase weight.

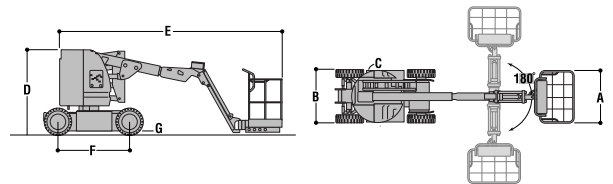
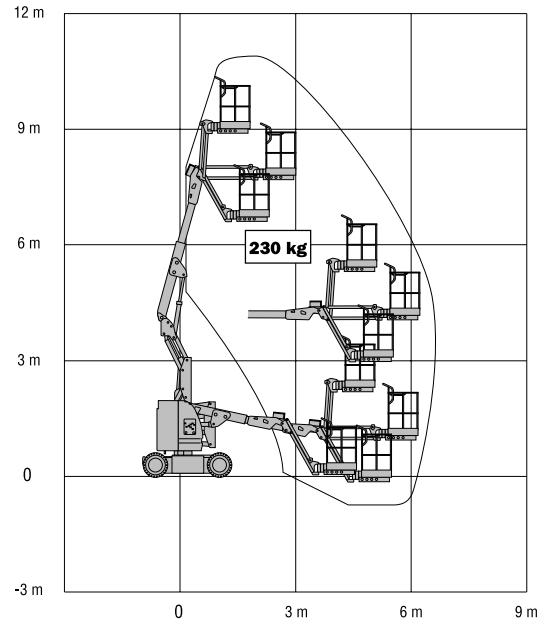
Specifications may change to meet country standards or with the addition of optional equipment.



JLG MODEL E300AJ



JLG MODEL E300AJP



ELECTRIC ARTICULATING BOOM LIFTS

| | E400A | M400A | E400An | M400An | E400AJP | M400AJP | E400AJPn | M400AJPn |
|-----------------------------------|--------------------------|--------------------------|--------------------------|--------------------------|--------------------------|--------------------------|--------------------------|--------------------------|
| Platform Height | 12.19 m | 12.19 m | 12.19 m | 12.19 m | 12.19 m | 12.19 m | 12.19 m | 12.19 m |
| Horizontal Outreach | 6.45 m | 6.45 m | 6.45 m | 6.45 m | 6.83 m | 6.83 m | 6.83 m | 6.83 m |
| Up and Over Height | 6.55 m | 6.55 m | 6.55 m | 6.55 m | 6.55 m | 6.55 m | 6.55 m | 6.55 m |
| Swing (non-continuous) | 360° | 360° | 360° | 360° | 360° | 360° | 360° | 360° |
| Platform Capacity - Unrestricted | 230 kg | 230 kg | 230 kg | 230 kg | 230 kg | 230 kg | 230 kg | 230 kg |
| Platform Rotator (Hydraulic) | 180° | 180° | 180° | 180° | 180° | 180° | 180° | 180° |
| Jib - Overall Length | — | — | — | — | 1.24 m | 1.24 m | 1.24 m | 1.24 m |
| Jib - Range of articulation | — | — | — | — | 141° (+86°/-55°) | 141° (+86°/-55°) | 141° (+86°/-55°) | 141° (+86°/-55°) |
| JibPLUS™ - Range of articulation | — | — | — | — | 180° Horizontal | 180° Horizontal | 180° Horizontal | 180° Horizontal |
| A. Platform Size | 0.76 m x 1.22 m | 0.76 m x 1.22 m | 0.76 m x 1.22 m | 0.76 m x 1.22 m | 0.76 m x 1.22 m | 0.76 m x 1.22 m | 0.76 m x 1.22 m | 0.76 m x 1.22 m |
| B. Overall Width | 1.75 m | 1.75 m | 1.50 m | 1.50 m | 1.75 m | 1.75 m | 1.50 m | 1.50 m |
| C. Tailswing (working condition) | Zero | Zero | 0.13 m | 0.13 m | Zero | Zero | 0.13 m | 0.13 m |
| D. Stowed Height | 2.01 m | 2.01 m | 1.97 m | 1.97 m | 2.01 m | 2.01 m | 1.97 m | 1.97 m |
| E. Stowed Length | 5.51 m | 5.51 m | 5.51 m | 5.51 m | 6.71 m | 6.71 m | 6.71 m | 6.71 m |
| F. Wheelbase | 2.01 m | 2.01 m | 2.01 m | 2.01 m | 2.01 m | 2.01 m | 2.01 m | 2.01 m |
| G. Ground Clearance | 0.22 m | 0.22 m | 0.13 m | 0.13 m | 0.22 m | 0.22 m | 0.13 m | 0.13 m |
| Gross Vehicle Weight ¹ | 6,037 kg | 6,128 kg | 5,942 kg | 6,033 kg | 6,214 kg | 6,318 kg | 6,759 kg | 6,863 kg |
| Drive Speed | 5.1 km/h | 5.1 km/h | 4.8 km/h | 4.8 km/h | 5.1 km/h | 5.1 km/h | 4.8 km/h | 4.8 km/h |
| Gradeability | 30% | 30% | 30% | 30% | 30% | 30% | 30% | 30% |
| Tyres | 240/55-17.5 Foam Filled | 240/55-17.5 Foam Filled | 25 x 7 x 12 Non marking | 25 x 7 x 12 Non marking | 240/55-17.5 Foam Filled | 240/55-17.5 Foam Filled | 25 x 7 x 12 Non marking | 25 x 7 x 12 Non marking |
| Turning Radius - Inside | 0.61 m | 0.61 m | 0.86 m | 0.86 m | 0.61 m | 0.61 m | 0.86 m | 0.86 m |
| Turning Radius - Outside | 3.15 m | 3.15 m | 3.15 m | 3.15 m | 3.15 m | 3.15 m | 3.15 m | 3.15 m |
| Electrical System | 48V DC | 48V DC | 48V DC | 48V DC | 48V DC | 48V DC | 48V DC | 48V DC |
| Batteries | 8 x 6V 370 A/hr | 8 x 6V 370 A/hr | 8 x 6V 370 A/hr | 8 x 6V 370 A/hr | 8 x 6V 370 A/hr | 8 x 6V 370 A/hr | 8 x 6V 370 A/hr | 8 x 6V 370 A/hr |
| Drive Motors | Dual Electric Traction | Dual Electric Traction | Dual Electric Traction | Dual Electric Traction | Dual Electric Traction | Dual Electric Traction | Dual Electric Traction | Dual Electric Traction |
| Brakes | Automatic Spring Applied | Automatic Spring Applied | Automatic Spring Applied | Automatic Spring Applied | Automatic Spring Applied | Automatic Spring Applied | Automatic Spring Applied | Automatic Spring Applied |
| Hydraulic Motor | Perm. Magnet | Perm. Magnet | Perm. Magnet | Perm. Magnet | Perm. Magnet | Perm. Magnet | Perm. Magnet | Perm. Magnet |
| Hydraulic Pump | Gear Pump | Gear Pump | Gear Pump | Gear Pump | Gear Pump | Gear Pump | Gear Pump | Gear Pump |
| Hydraulic Reservoir | 15 L | 15 L | 15 L | 15 L | 15 L | 15 L | 15 L | 15 L |
| Generator Set - Fully Automatic | — | Yanmar Air-cooled 4 kW | — | Yanmar Air-cooled 4 kW | — | Yanmar Air-cooled 4 kW | — | Yanmar Air-cooled 4 kW |
| Generator Fuel Tank | — | 15 L | — | 15 L | — | 15 L | — | 15 L |

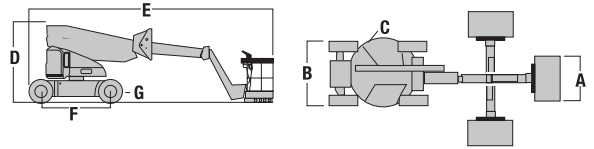
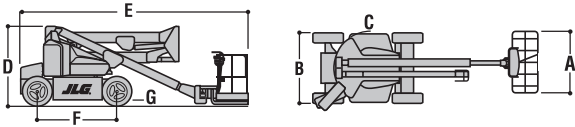
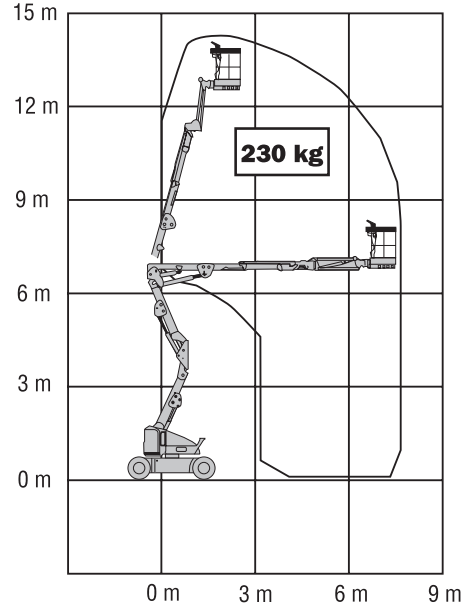
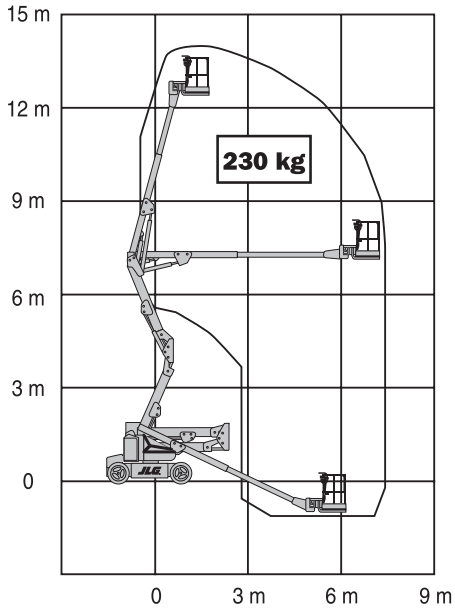
¹ Certain options or country standards will increase weight.

Specifications may change to meet country standards or with the addition of optional equipment.



JLG MODELS E400A, M400A, E400An & M400An

JLG MODELS E400AJP, M400AJP, E400AJPn & M400AJPn



ELECTRIC ARTICULATING BOOM LIFTS

| | E450A | M450A | E450AJ | M450AJ |
|-----------------------------------|-----------------------------|-----------------------------|-----------------------------|-----------------------------|
| Platform Height | 13.72 m | 13.72 m | 13.72 m | 13.72 m |
| Horizontal Outreach | 7.04 m | 7.04 m | 7.24 m | 7.24 m |
| Up and Over Height | 7.49 m | 7.49 m | 7.70 m | 7.70 m |
| Swing (non-continuous) | 360° | 360° | 360° | 360° |
| Platform Capacity – Unrestricted | 230 kg | 230 kg | 230 kg | 230 kg |
| Platform Rotator (Hydraulic) | 180° | 180° | 180° | 180° |
| Jib – Overall Length | — | — | 1.24 m | 1.24 m |
| Jib - Range of articulation | — | — | 141° (+86°/ -55°) | 141° (+86°/ -55°) |
| A. Platform Size | 0.76 m x 1.52 m | 0.76 m x 1.52 m | 0.76 m x 1.52 m | 0.76 m x 1.52 m |
| B. Overall Width | 1.75 m | 1.75 m | 1.75 m | 1.75 m |
| C. Tailswing (working condition) | Zero | Zero | Zero | Zero |
| D. Stowed Height | 1.98 m | 1.98 m | 2.01 m | 2.01 m |
| E. Stowed Length | 5.82 m | 5.82 m | 6.45 m | 6.45 m |
| F. Wheelbase | 2.01 m | 2.01 m | 2.01 m | 2.01 m |
| G. Ground Clearance | 0.22 m | 0.22 m | 0.22 m | 0.22 m |
| Gross Vehicle Weight ¹ | 5,940 kg | 5,970 kg | 6,670 kg | 6,700 kg |
| Drive Speed | 5.2 km/h | 5.2 km/h | 5.2 km/h | 5.2 km/h |
| Gradeability | 30% | 30% | 30% | 30% |
| Tyres | 240/55-17.5 Pneumatic | 240/55-17.5 Pneumatic | 240/55-17.5 Foam Filled | 240/55-17.5 Foam Filled |
| Turning Radius – Inside | 0.61 m | 0.61 m | 0.61 m | 0.61 m |
| Turning Radius – Outside | 3.15 m | 3.15 m | 3.15 m | 3.15 m |
| Electrical System | 48V DC | 48V DC | 48V DC | 48V DC |
| Batteries | 8 x 6V 370 A/hr | 8 x 6V 370 A/hr | 8 x 6V 370 A/hr | 8 x 6V 370 A/hr |
| Drive Motors | Dual Electric Traction | Dual Electric Traction | Dual Electric Traction | Dual Electric Traction |
| Brakes | Automatic Spring Applied | Automatic Spring Applied | Automatic Spring Applied | Automatic Spring Applied |
| Hydraulic Motor | Perm. Magnet | Perm. Magnet | Perm. Magnet | Perm. Magnet |
| Hydraulic Pump | Gear Pump | Gear Pump | Gear Pump | Gear Pump |
| Hydraulic Reservoir | 15 L | 15 L | 15 L | 15 L |
| Generator Set - Fully Automatic | — | Yanmar Air-cooled 4 kW | — | Yanmar Air-cooled 4 kW |
| Generator Fuel Tank | — | 15 L | — | 15 L |

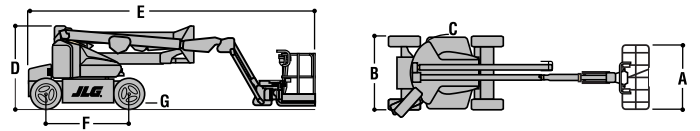
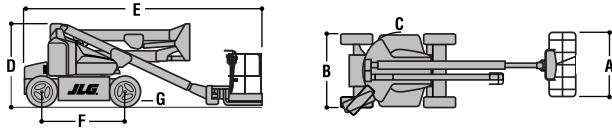
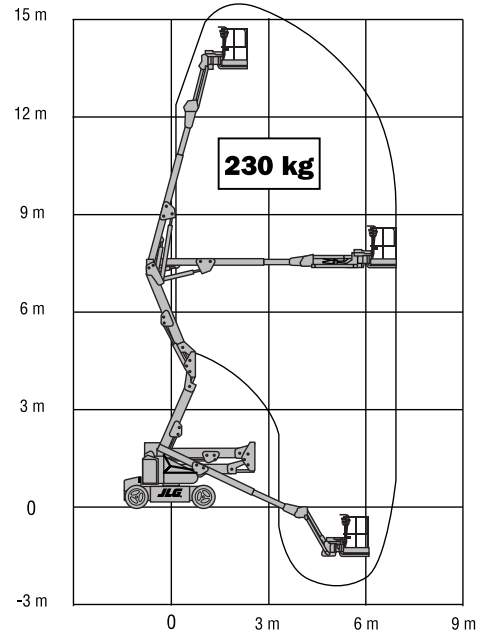
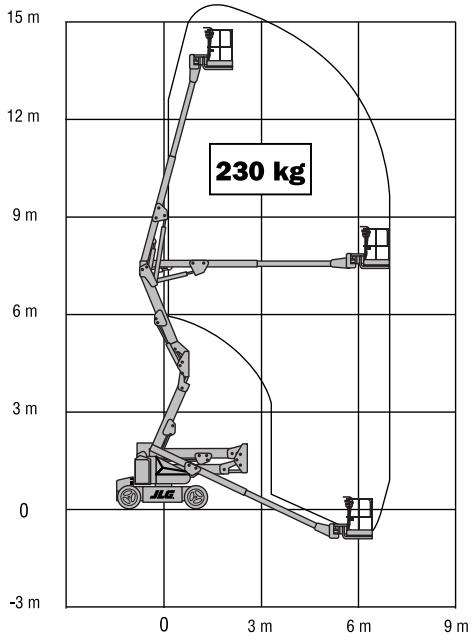
¹ Certain options or country standards will increase weight.

Specifications may change to meet country standards or with the addition of optional equipment.



JLG MODELS E450A & M450A

JLG MODELS E450AJ & M450AJ



ELECTRIC BOOM LIFTS

| | E600J | M600J | E600JP | M600JP |
|-----------------------------------|-------------------------------|-------------------------------|-------------------------------|-------------------------------|
| Platform Height | 18.29 m | 18.29 m | 18.29 m | 18.29 m |
| Horizontal Outreach | 13.06 m | 13.06 m | 13.23 m | 13.23 m |
| Swing (non-continuous) | 400° | 400° | 400° | 400° |
| Platform Capacity – Unrestricted | 230 kg | 230 kg | 230 kg | 230 kg |
| Platform Rotator (Hydraulic) | 180° | 180° | 180° | 180° |
| Jib – Overall Length | 1.24 m | 1.24 m | 1.24 m | 1.24 m |
| Jib - Range of articulation | 141° Vertical (+86°/ -55°) | 141° Vertical (+86°/ -55°) | 141° Vertical (+86°/ -55°) | 141° Vertical (+86°/ -55°) |
| JibPLUS™ - Range of Articulation | — | — | 180° Horizontal | 180° Horizontal |
| A. Platform Size | 0.76 m x 1.83 m | 0.76 m x 1.83 m | 0.76 m x 1.83 m | 0.76 m x 1.83 m |
| B. Overall Width | 2.44 m | 2.44 m | 2.44 m | 2.44 m |
| C. Tailswing (working condition) | 1.22 m | 1.22 m | 1.22 m | 1.22 m |
| D. Stowed Height | 2.57 m | 2.57 m | 2.57 m | 2.57 m |
| E. Stowed Length | 9.37 m | 9.37 m | 9.91 m | 9.91 m |
| F. Wheelbase | 2.74 m | 2.74 m | 2.74 m | 2.74 m |
| G. Ground Clearance | 0.30 m | 0.30 m | 0.30 m | 0.30 m |
| Gross Vehicle Weight ¹ | 6,900 kg | 7,070 kg | 7,000 kg | 7,170 kg |
| Drive Speed | 4.8 km/h | 4.8 km/h | 4.8 km/h | 4.8 km/h |
| Gradeability | 30% | 30% | 30% | 30% |
| Tyres (pneumatic/non-marking) | 36/14LL-22.5 | 36/14LL-22.5 | 36/14LL-22.5 | 36/14LL-22.5 |
| Axle Oscillation (optional) | 0.20 m | 0.20 m | 0.20 m | 0.20 m |
| Turning Radius – Inside | 1.22 m | 1.22 m | 1.22 m | 1.22 m |
| Turning Radius – Outside | 4.72 m | 4.72 m | 4.72 m | 4.72 m |
| Electrical System | 48V DC | 48V DC | 48V DC | 48V DC |
| Batteries | 8 x 6V 415 A/hr | 8 x 6V 415 A/hr | 8 x 6V 415 A/hr | 8 x 6V 415 A/hr |
| Drive Motors | Dual Electric Traction | Dual Electric Traction | Dual Electric Traction | Dual Electric Traction |
| Brakes | Automatic Spring Applied | Automatic Spring Applied | Automatic Spring Applied | Automatic Spring Applied |
| Hydraulic Pump Motor | Perm. Magnet | Perm. Magnet | Perm. Magnet | Perm. Magnet |
| Hydraulic Pump | Gear Pump | Gear Pump | Gear Pump | Gear Pump |
| Hydraulic Reservoir | 55 L | 55 L | 55 L | 55 L |
| Generator Set - Fully Automatic | — | Yanmar Air-cooled 4.5 kW | — | Yanmar Air-cooled 4.5 kW |
| Generator Fuel Tank | — | 50 L | — | 50 L |

¹ Certain options or country standards will increase weight.

Specifications may change to meet country standards or with the addition of optional equipment.



JLG MODELS E600J, M600J, E600JP & M600JP

